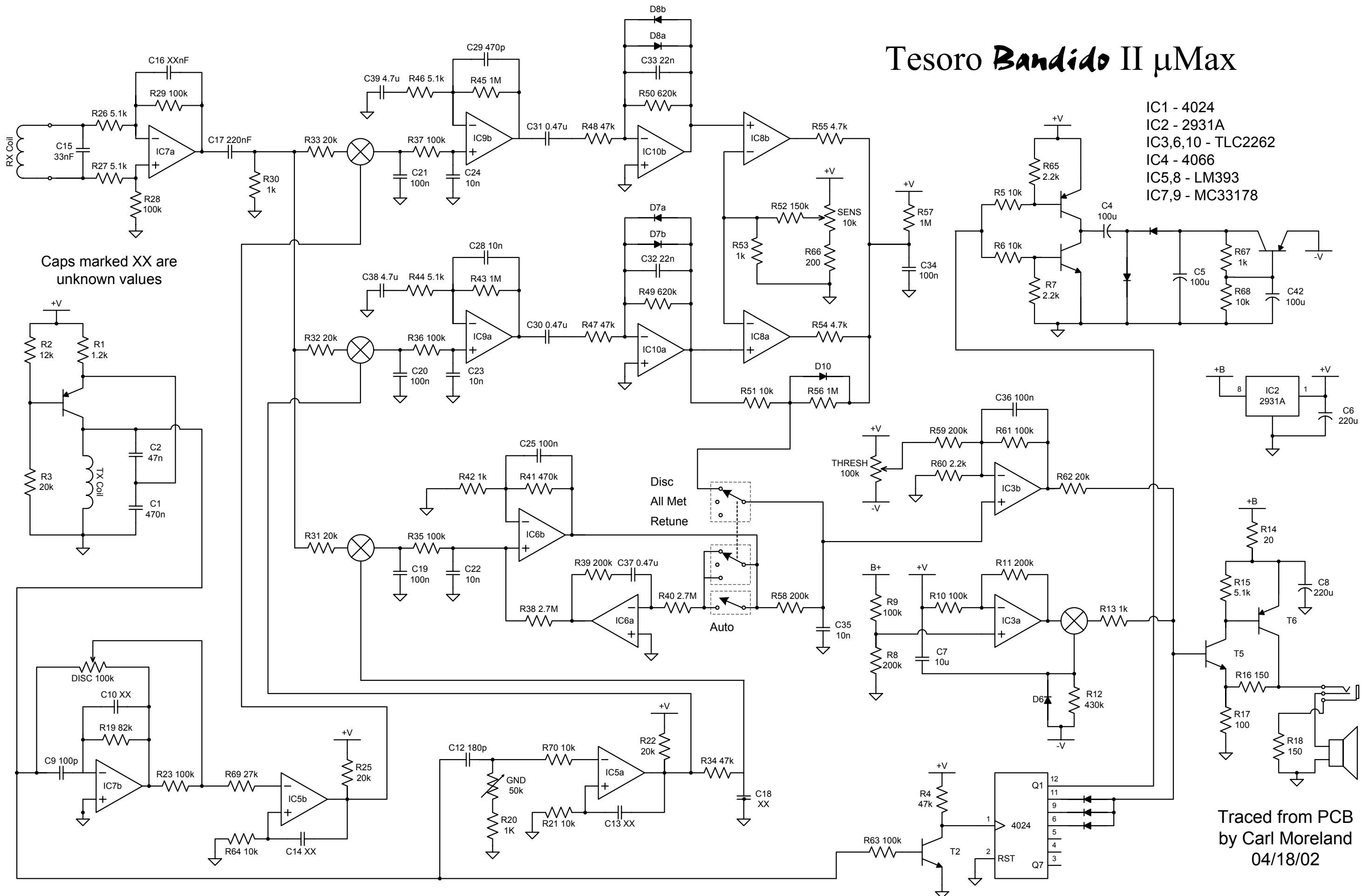


Tesoro Bandido II μ Max

- IC1 - 4024
- IC2 - 2931A
- IC3,6,10 - TLC2262
- IC4 - 4066
- IC5,8 - LM393
- IC7,9 - MC33178



Caps marked XX are unknown values

Traced from PCB
by Carl Moreland
04/18/02